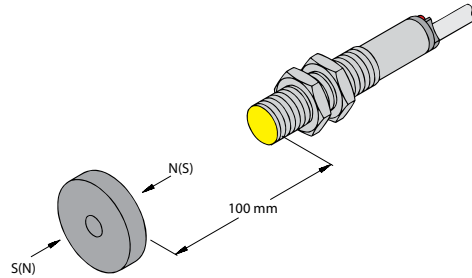
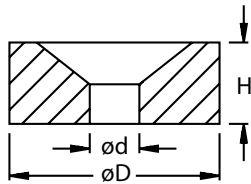


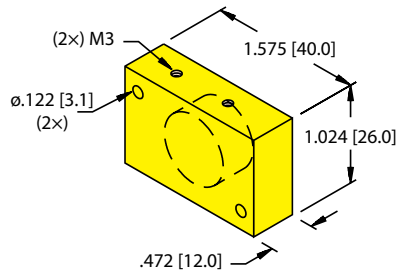
Accessories

Actuation Magnets



Part Number	ID Number	Diameter-D	Height-H	Drilling for mounting-d	Sensing Range To BIM-M12	Sensing Range To BIM-EG08
DMR15-6-3	6900216	15	6	3	36	32
DMR20-10-4	6900214	20	10	4	59	50
DMR31-15-5	6900215	31	15	5	90	78

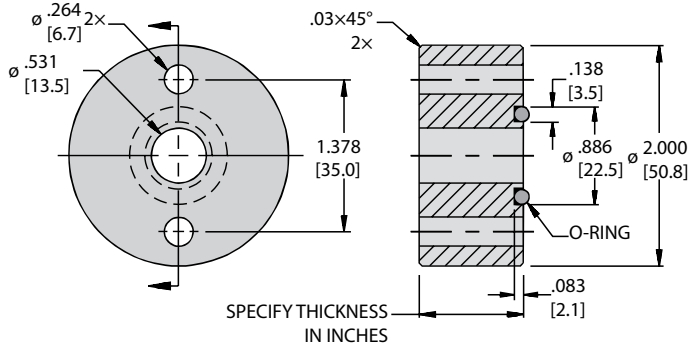
Inches [mm]
Material: Barium ferrite (Oxyd 300)



Part Number	ID Number
DM-Q12	6900367

Inches [mm]
Material: Plastic

Spacer Plates



Part Number
SP-__- ¹⁾ -C

Inches [mm]
Material: Aluminum
*¹⁾ Add desired thickness in inches.
Minimum thickness: 0.125", in .005 increments.
For use with cylinder position sensors, CRS Series.

We reserve the right to make technical alterations without prior notice.